

succbone control panel

Notes:

- All devices shall be labelled with their device tag
- Cables shall be labelled with their tag on both ends
- Wires shall be labelled with the appropriate terminal number

Color codes (similar to IEC 60757):

WH	white
BK	black
BU	blue
BN	brown
GY	grey
RD	red
VT	violet
PK	pink
OG	orange
TP	transparent (non-standard)
BG	beige (non-standard)
GNYE	green/yellow

suffix "/WH" marks white stripe

Wire Colors

Description

BN (brown)/BK (black)	100V AC line
LBU (light blue)	100V AC neutral
GNYE (green/yellow)	protective earth
DBU (dark blue)	24V DC contols
DBU/WH (dark blue/white)	0V DC potential
WH (white)	other ELV potentials (possibly sourced externally)

Autor: rahix

Titel: succbone control panel

Größe: A4

Blatt: 1/13

Title

Funktion:

Ort:

This work is licensed under CC-BY-SA-4.0

Datum: 2024-09-27

Rev: as built

1	2	3	4	5	6	7	8	9	10
---	---	---	---	---	---	---	---	---	----

<i>Position</i>	<i>Title</i>	<i>Location (+)</i>
1	Title	
2	Table of Contents	
3	Changes	
4	Changes	
5	Network Topology	
6	Power Supply	
7	BeagleBone	
8	Relay Boards	
9	Evac Controller Interfaces	
10	Roughing Pump	
11	Diffusion Pump	
12	Device List	
13	Device List	

	Autor: rahix	Titel: succbone control panel	Größe: A4	Blatt: 2/13
	Table of Contents		Funktion:	Ort:
			This work is licensed under CC-BY-SA-4.0	
			Datum: 2024-09-27	Rev: as built

Changes

Date	Pages	Author	Description
------	-------	--------	-------------

		Autor:		Titel: succbone control panel		Größe: A4	Blatt: 3/13		
		Changes				Funktion:		Ort:	
						This work is licensed under CC-BY-SA-4.0			
		Datum: 2024-09-27			Rev: as built				

Changes

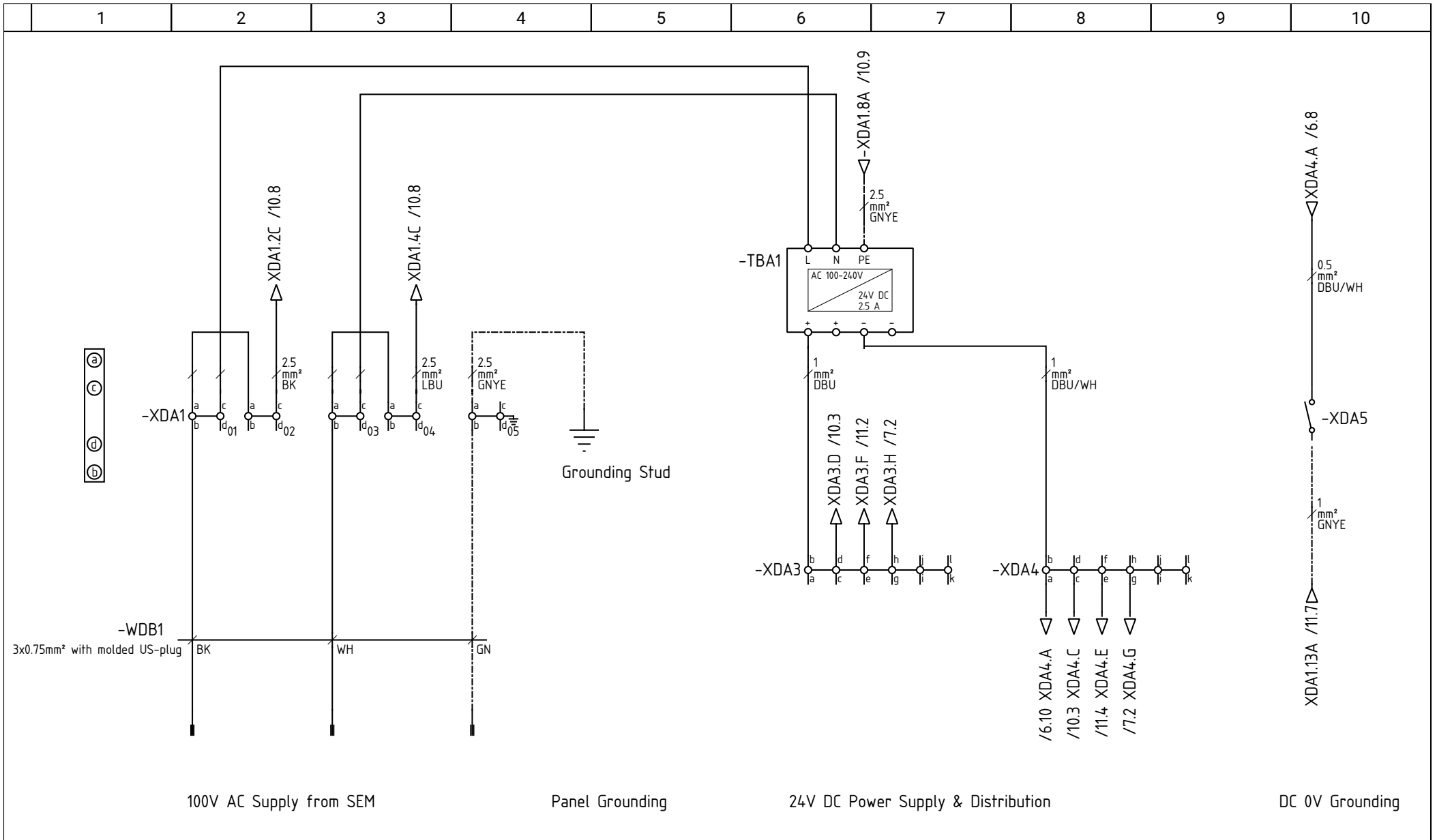
Date	Pages	Author	Description

	Autor: rahix	Titel: succbone control panel	Größe: A4	Blatt: 4/13
	Changes		Funktion:	Ort:
			This work is licensed under CC-BY-SA-4.0	
	Datum: 2024-09-27	Rev: as built		

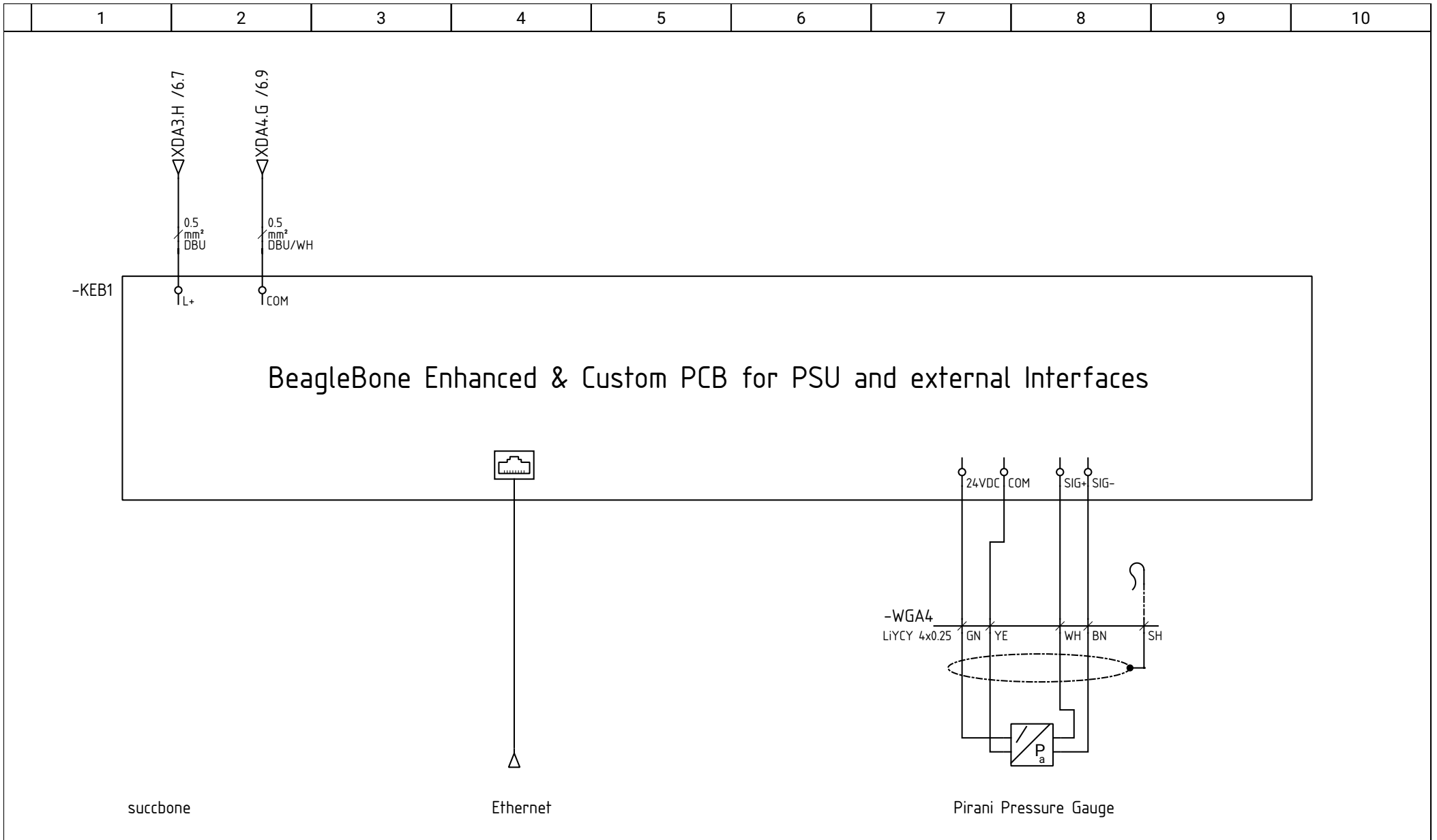
1	2	3	4	5	6	7	8	9	10
---	---	---	---	---	---	---	---	---	----



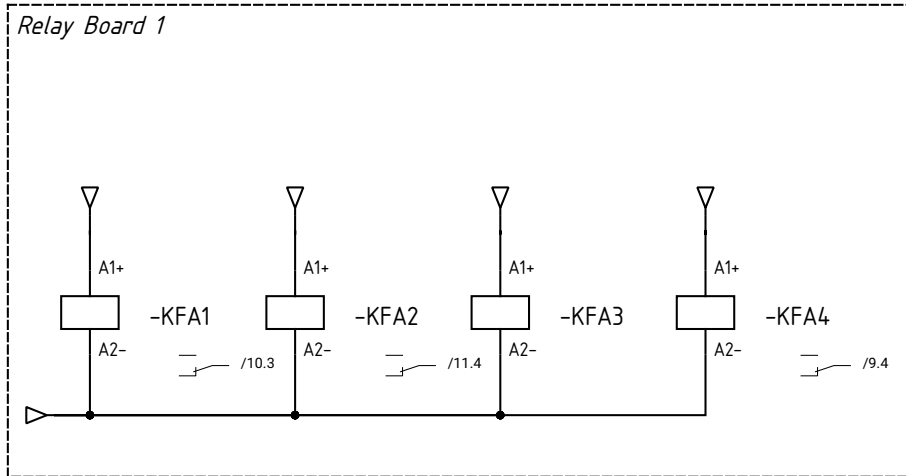
	Autor: rahix	Titel: succbone control panel	Größe: A4	Blatt: 5/13
	Network Topology		Funktion:	Ort:
			This work is licensed under CC-BY-SA-4.0	
			Datum: 2024-09-27	Rev: as built



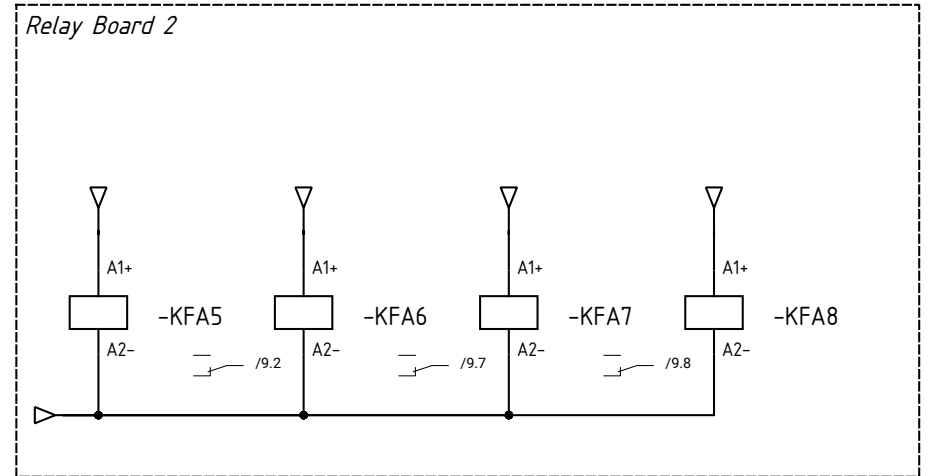
Autor: rahix		Titel: succbone control panel		Größe: A4	Blatt: 6/13		
Power Supply				Funktion:		Ort:	
				This work is licensed under CC-BY-SA-4.0			
				Datum: 2024-09-27		Rev: as built	



	Autor: rahix	Titel: succbone control panel	Größe: A4	Blatt: 7/13
BeagleBone	Funktion:		Ort:	
	This work is licensed under CC-BY-SA-4.0			
	Datum: 2024-09-27		Rev: as built	



Roughing Pump Diffusion Pump Button Vent



Button Pump-Down Fake-Pirani Rough Fake-Pirani High

Autor: rahix

Titel: succbone control panel

Größe: A4

Blatt: 8/13

Relay Boards

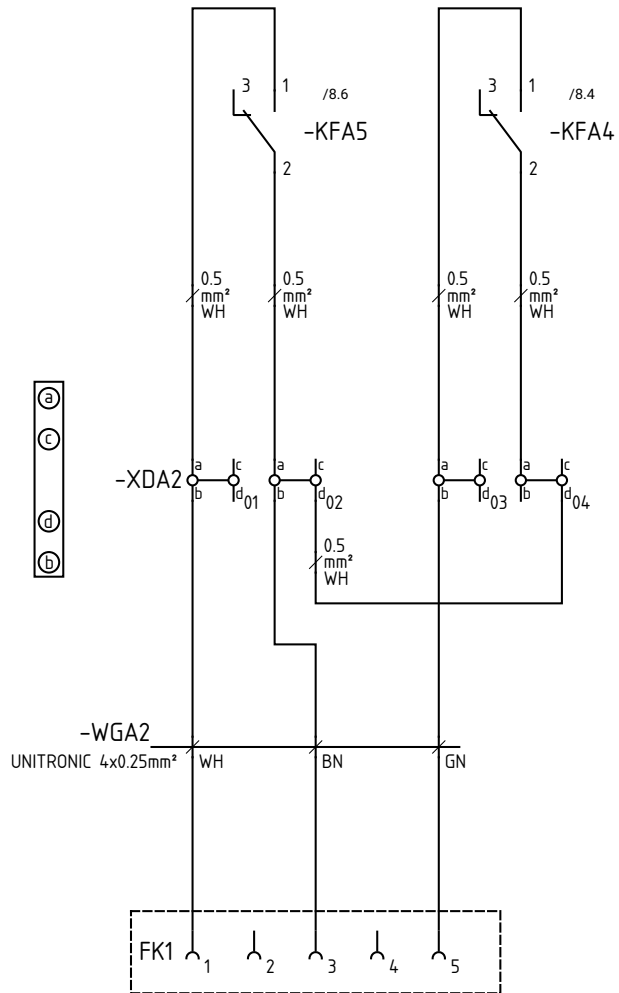
Funktion:

Ort:

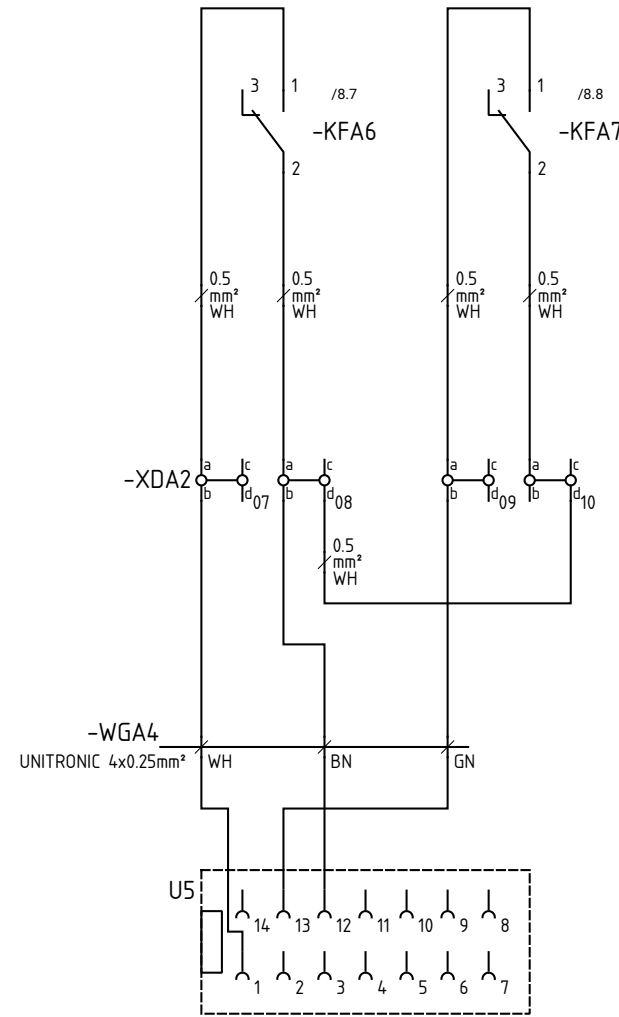
This work is licensed under CC-BY-SA-4.0

Datum: 2024-09-27

Rev: as built

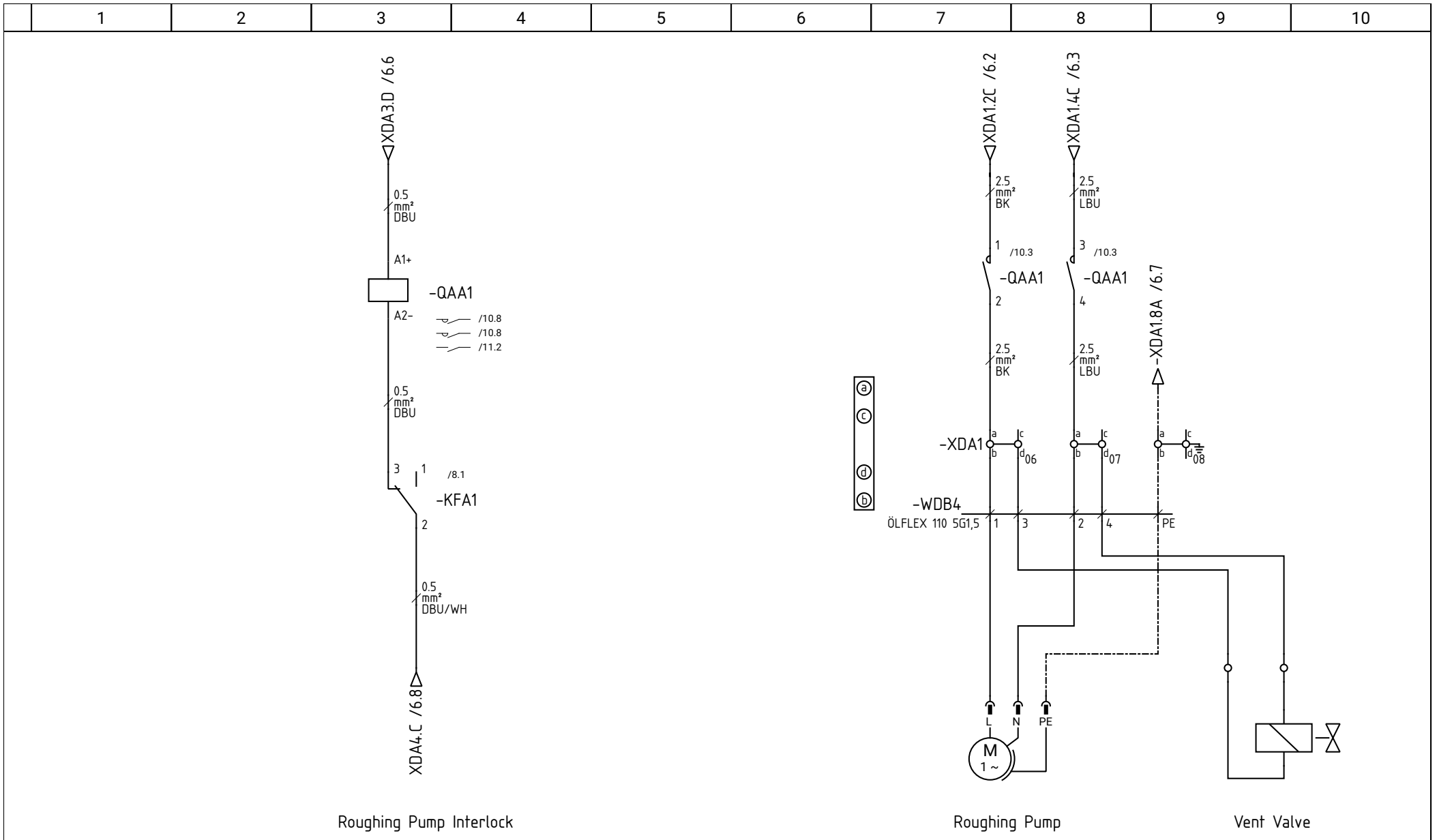


Button Pump-Down Button Vent



Fake-Pirani Rough Fake-Pirani High

Autor: rahix	Titel: succbone control panel	Größe: A4	Blatt: 9/13
<h2 style="margin: 0;">Evac Controller Interfaces</h2>		Funktion:	
		Ort:	
		This work is licensed under CC-BY-SA-4.0	
Datum: 2024-09-27		Rev: as built	

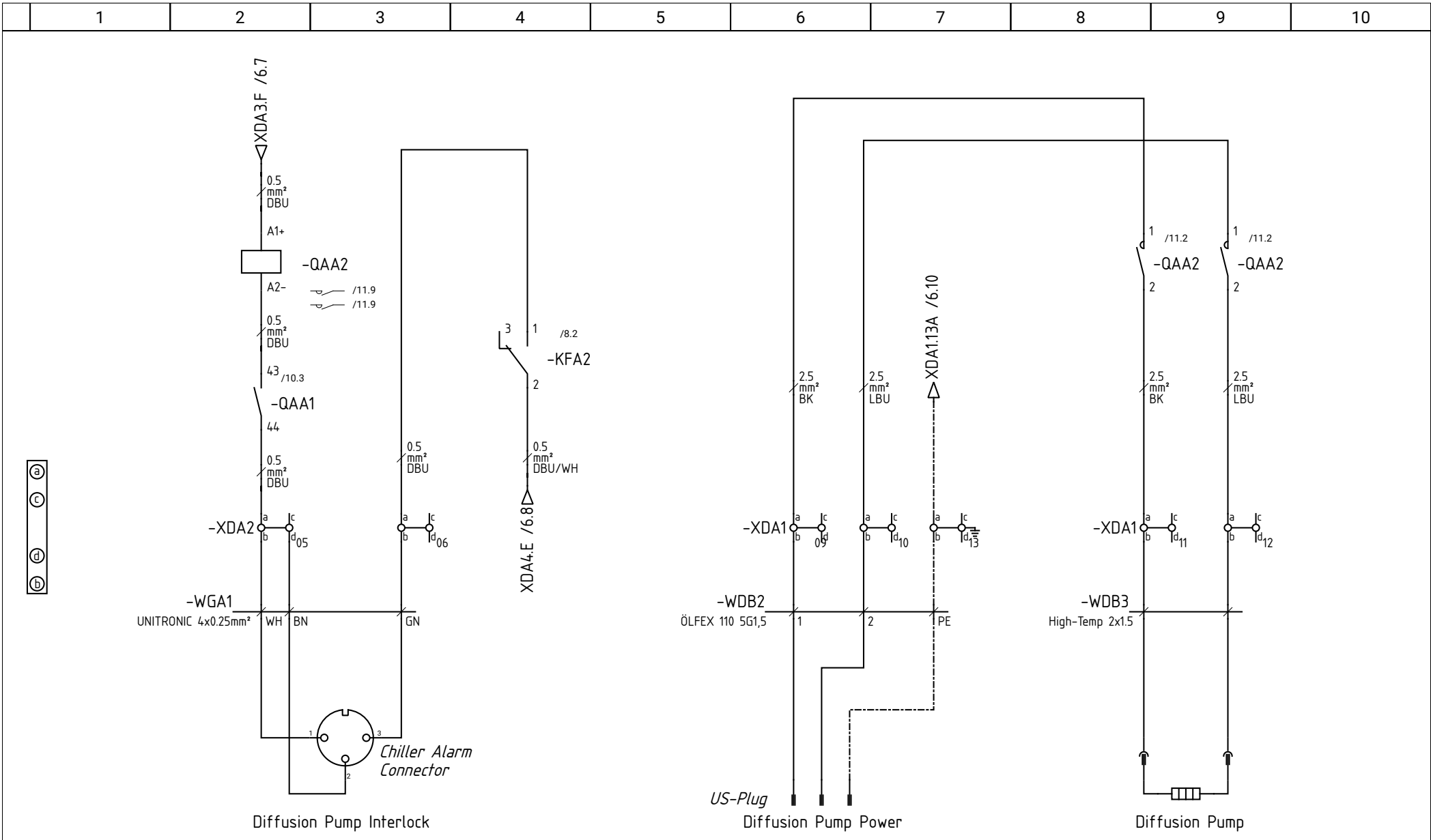


Roughing Pump Interlock

Roughing Pump

Vent Valve

Autor: rahix	Titel: succbone control panel	Größe: A4	Blatt: 10/13
<h2>Roughing Pump</h2>		Funktion:	Ort:
		This work is licensed under CC-BY-SA-4.0	
		Datum: 2024-09-27	Rev: as built



Autor: rahix	Titel: succbone control panel	Größe: A4	Blatt: 11/13
Diffusion Pump		Funktion:	Ort:
		This work is licensed under CC-BY-SA-4.0	
		Datum: 2024-09-27	Rev: as built

1	2	3	4	5	6	7	8	9	10
---	---	---	---	---	---	---	---	---	----

Label	Location (+)	Textual description	Manufacturer	Article number	Folio number
-KFA1		1 of 4 relays on relay board			8
-KFA2		1 of 4 relays on relay board			8
-KFA3		1 of 4 relays on relay board			8
-KFA4		1 of 4 relays on relay board			8
-KFA5		1 of 4 relays on relay board			8
-KFA6		1 of 4 relays on relay board			8
-KFA7		1 of 4 relays on relay board			8
-KFA8		1 of 4 relays on relay board			8
-QAA1		Contactora S00	Siemens	3ZX1012-0RH11-1AA1	10
-QAA2		Contactora S00	Siemens	3ZX1012-0RH11-1AA1	11
-TBA1		24V DC Power Supply 2.5A	Phoenix Contact	QUINT-PS-100-240VAC / 24DC / 2.5	6
-WDB1		3x0.75mm² with molded US-plug			6
-WDB2		ÖLFEX 110 5G1,5			11
-WDB3		High-Temp 2x1.5			11
-WDB4		ÖLFLEX 110 5G1,5			10
-WGA1		UNITRONIC 4x0.25mm²			11
-WGA2		UNITRONIC 4x0.25mm²			9
-WGA4		LiYCY 4x0.25			7
-WGA4		UNITRONIC 4x0.25mm²			9
-XDA1.01		4-conductor through terminal block; 2.5 mm²	WAGO	280-646	6
-XDA1.02		4-conductor through terminal block; 2.5 mm²	WAGO	280-646	6
-XDA1.03		4-conductor through terminal block; 2.5 mm²	WAGO	280-646	6
-XDA1.04		4-conductor through terminal block; 2.5 mm²	WAGO	280-646	6
-XDA1.05		3-conductor ground terminal block; 2.5 mm²	WAGO	280-637	6
-XDA1.06		4-conductor through terminal block; 2.5 mm²	WAGO	280-646	10
-XDA1.07		4-conductor through terminal block; 2.5 mm²	WAGO	280-646	10
-XDA1.08		3-conductor ground terminal block; 2.5 mm²	WAGO	280-637	10
-XDA1.09		4-conductor through terminal block; 2.5 mm²	WAGO	280-646	11
-XDA1.10		4-conductor through terminal block; 2.5 mm²	WAGO	280-646	11
-XDA1.11		4-conductor through terminal block; 2.5 mm²	WAGO	280-646	11
-XDA1.12		4-conductor through terminal block; 2.5 mm²	WAGO	280-646	11
-XDA1.13		3-conductor ground terminal block; 2.5 mm²	WAGO	280-637	11

Device List	Autor: Harald Seiler		Titel: succbone control panel		Größe: A4	Blatt: 12/13
					Funktion:	Ort:
	This work is licensed under CC-BY-SA-4.0					
					Datum: 2024-09-27	Rev: as built

1	2	3	4	5	6	7	8	9	10
---	---	---	---	---	---	---	---	---	----

<i>Label</i>	<i>Location (+)</i>	<i>Textual description</i>	<i>Manufacturer</i>	<i>Article number</i>	<i>Folio number</i>
-XDA2.01		4-conductor through terminal block; 2.5 mm ²	WAGO	280-646	9
-XDA2.02		4-conductor through terminal block; 2.5 mm ²	WAGO	280-646	9
-XDA2.03		4-conductor through terminal block; 2.5 mm ²	WAGO	280-646	9
-XDA2.04		4-conductor through terminal block; 2.5 mm ²	WAGO	280-646	9
-XDA2.05		4-conductor through terminal block; 2.5 mm ²	WAGO	280-646	11
-XDA2.06		4-conductor through terminal block; 2.5 mm ²	WAGO	280-646	11
-XDA2.07		4-conductor through terminal block; 2.5 mm ²	WAGO	280-646	9
-XDA2.08		4-conductor through terminal block; 2.5 mm ²	WAGO	280-646	9
-XDA2.09		4-conductor through terminal block; 2.5 mm ²	WAGO	280-646	9
-XDA2.10		4-conductor through terminal block; 2.5 mm ²	WAGO	280-646	9
-XDA3		PTFIX Distribution Block 12X1,5	Phoenix Contact	PTFIX 12X1,5 GY	6
-XDA4		PTFIX Distribution Block 12X1,5	Phoenix Contact	PTFIX 12X1,5 GY	6
-XDA5		Disconnect terminal block			6

	Autor: rahix	Titel: succbone control panel	Größe: A4	Blatt: 13/13
	Device List		Funktion:	Ort:
			This work is licensed under CC-BY-SA-4.0	
			Datum: 2024-09-27	Rev: as built