

# succbone control panel

## Notes:

- All devices shall be labelled with their device tag
- Cables shall be labelled with their tag on both ends
- Wires shall be labelled with the appropriate terminal number

## Color codes (similar to IEC 60757):

WH	white
BK	black
BU	blue
BN	brown
GY	grey
RD	red
VT	violet
PK	pink
OG	orange
TP	transparent (non-standard)
BG	beige (non-standard)
GNYE	green/yellow

suffix "/WH" marks white stripe

## Wire Colors

## Description

BN (brown)/BK (black)	100V AC line
LBU (light blue)	100V AC neutral
GNYE (green/yellow)	protective earth
DBU (dark blue)	24V DC contols
DBU/WH (dark blue/white)	0V DC potential
WH (white)	other ELV potentials (possibly sourced externally)

Autor: rahix

Titel: succbone control panel

Größe: A4

Blatt: 1/16

Title

Funktion:

Ort:

This work is licensed under CC-BY-SA-4.0

Datum: 2024-11-10

Rev: as built

1	2	3	4	5	6	7	8	9	10
---	---	---	---	---	---	---	---	---	----

<i>Position</i>	<i>Title</i>	<i>Location (+)</i>
1	Title	
2	Table of Contents	
3	Changes	
4	Changes	
5	Network Topology	
6	Power Supply	
7	BeagleBone	
8	MicroTik Router	
9	MODBUS Gateway	
10	Relay Boards	
11	Roughing Pump	
12	Evac Controller Interfaces	
13	Diffusion Pump	
14	Diffusion Pump Temperature Sensors	
15	Device List	
16	Device List	

	Autor: rahix	Titel: succbone control panel	Größe: A4	Blatt: 2/16
	Table of Contents		Funktion:	Ort:
			This work is licensed under CC-BY-SA-4.0	
			Datum: 2024-11-10	Rev: as built

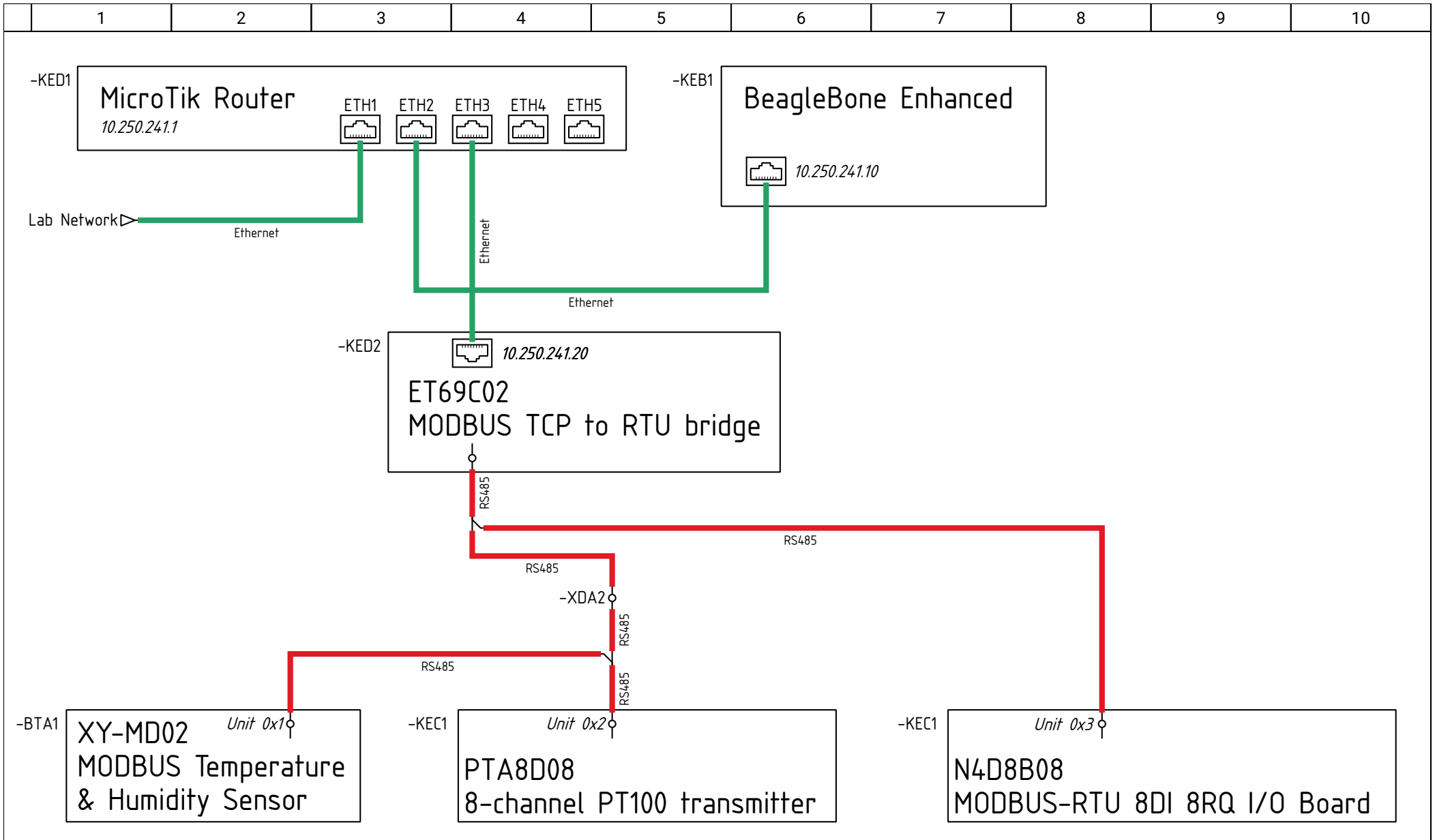
# Changes

Date	Pages	Author	Description

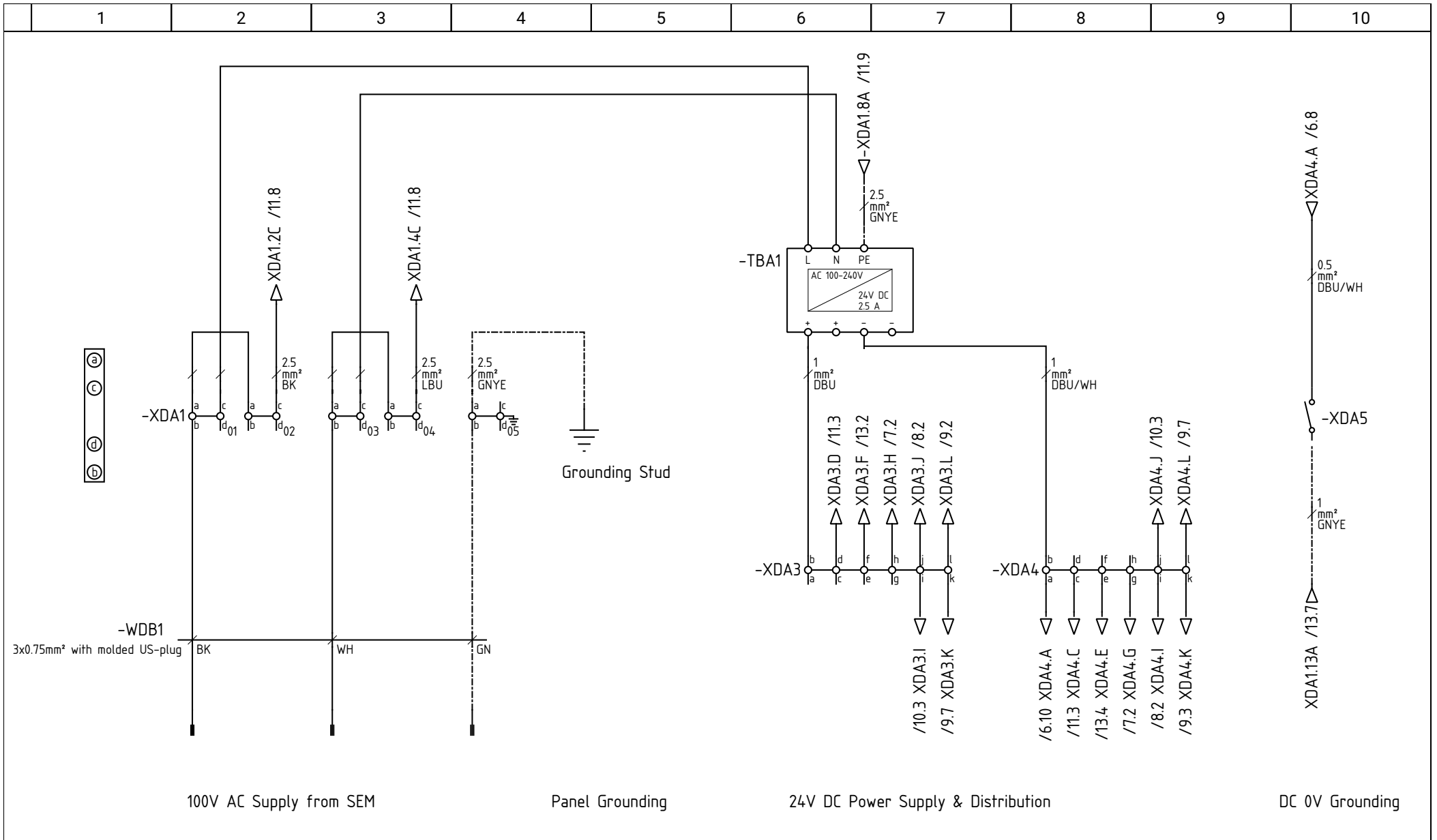
	Autor:	Titel: succbone control panel	Größe: A4	Blatt: 3/16
	Changes		Funktion:	Ort:
			This work is licensed under CC-BY-SA-4.0	
			Datum: 2024-11-10	Rev: as built

# Changes

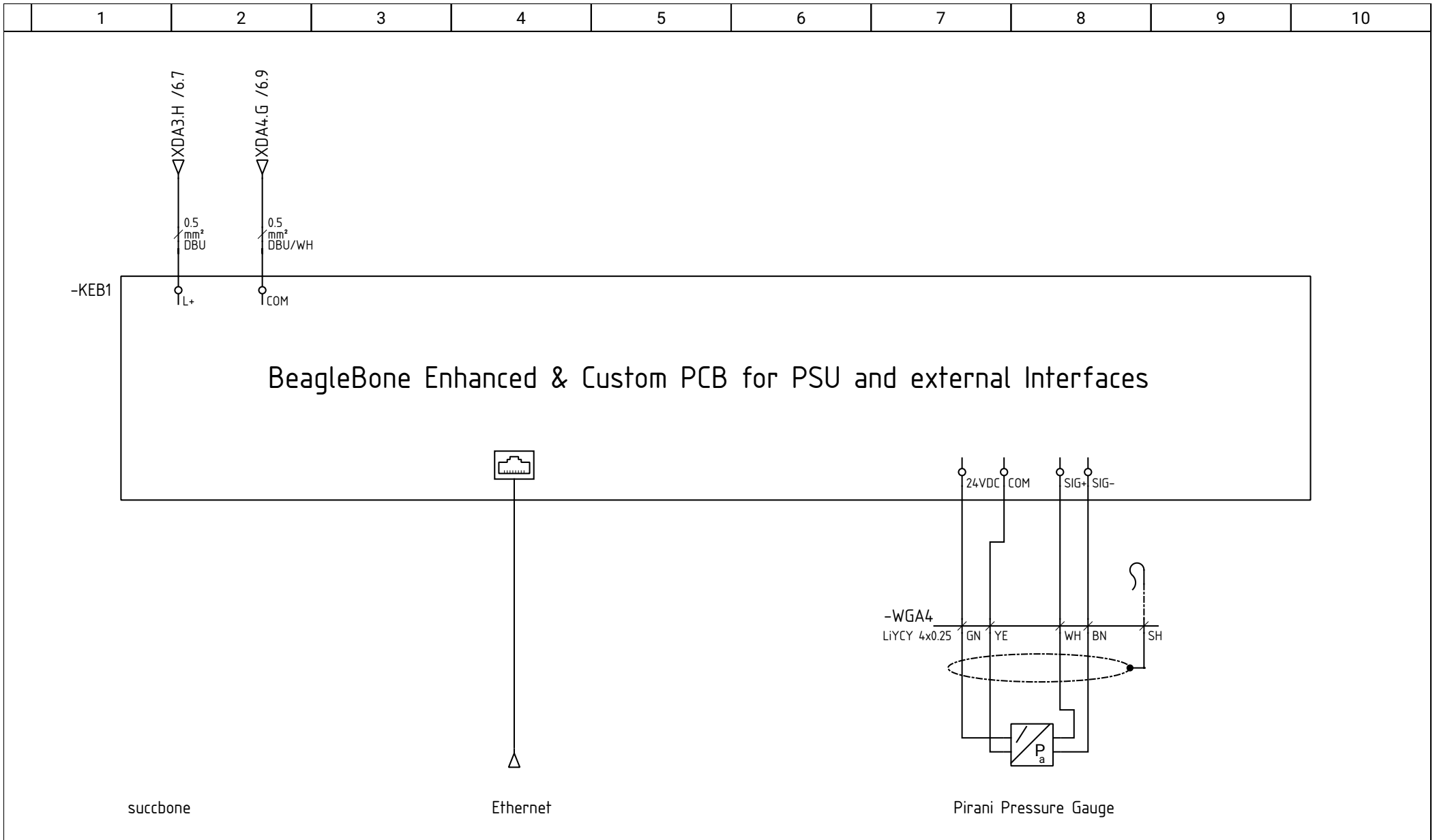
Date	Pages	Author	Description



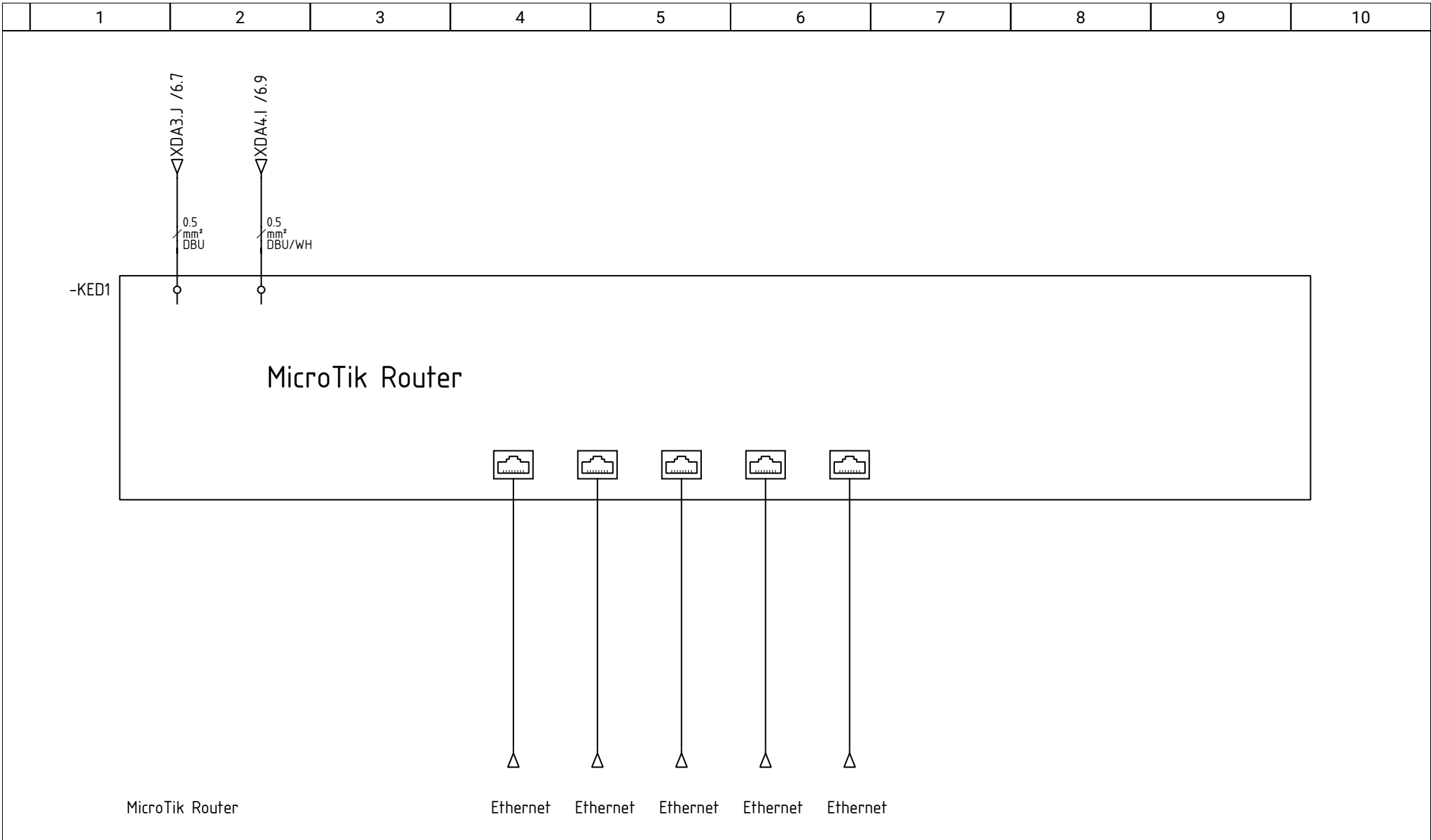
Autor: rahix		Titel: succbone control panel		Größe: A4	Blatt: 5/16		
Network Topology				Funktion:		Ort:	
				This work is licensed under CC-BY-SA-4.0			
				Datum: 2024-11-10		Rev: as built	



Autor: rahix		Titel: succbone control panel		Größe: A4	Blatt: 6/16		
Power Supply				Funktion:		Ort:	
				This work is licensed under CC-BY-SA-4.0			
				Datum: 2024-11-10		Rev: as built	

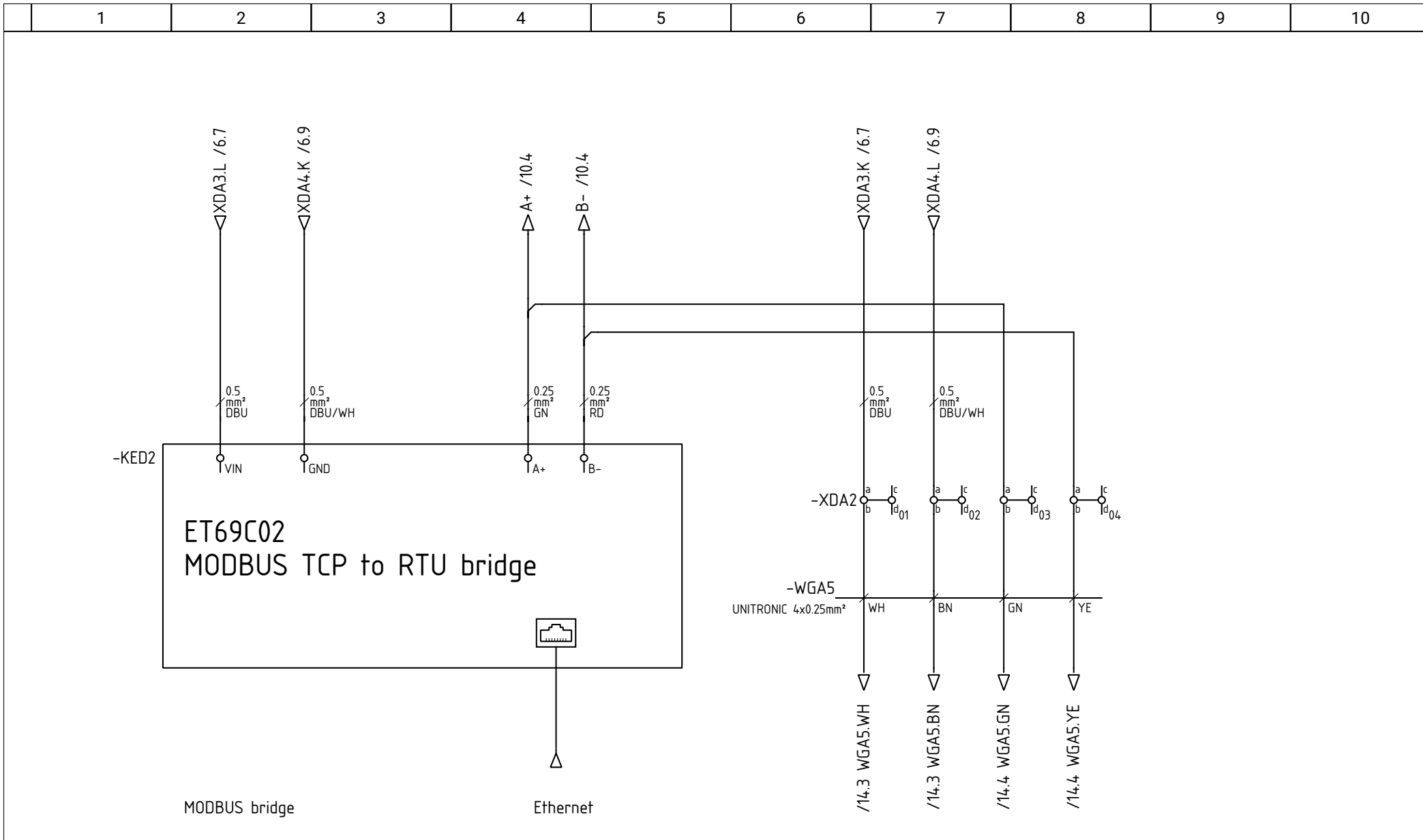


	Autor: rahix	Titel: succbone control panel	Größe: A4	Blatt: 7/16
	BeagleBone		Funktion:	Ort:
			This work is licensed under CC-BY-SA-4.0	
		Datum: 2024-11-10	Rev: as built	

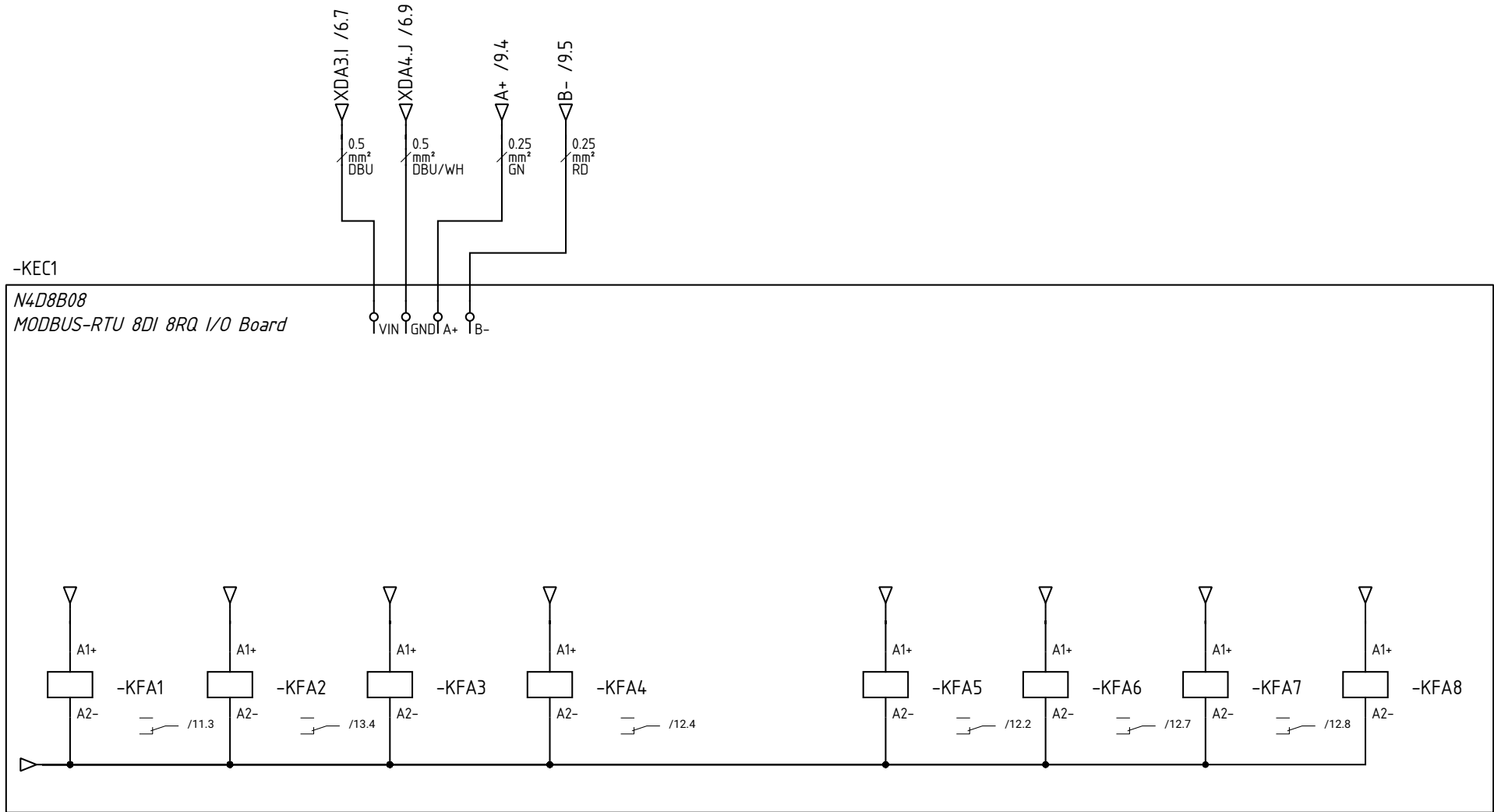


	Autor: rahix	Titel: succbone control panel	Größe: A4	Blatt: 8/16
MicroTik Router			Funktion:	Ort:
			This work is licensed under CC-BY-SA-4.0	
			Datum: 2024-11-10	Rev: as built





	Autor: rahix	Titel: succbone control panel	Größe: A4	Blatt: 9/16		
<b>MODBUS Gateway</b>			Funktion:	Ort:		
			This work is licensed under CC-BY-SA-4.0			
			Datum: 2024-11-10	Rev: as built		

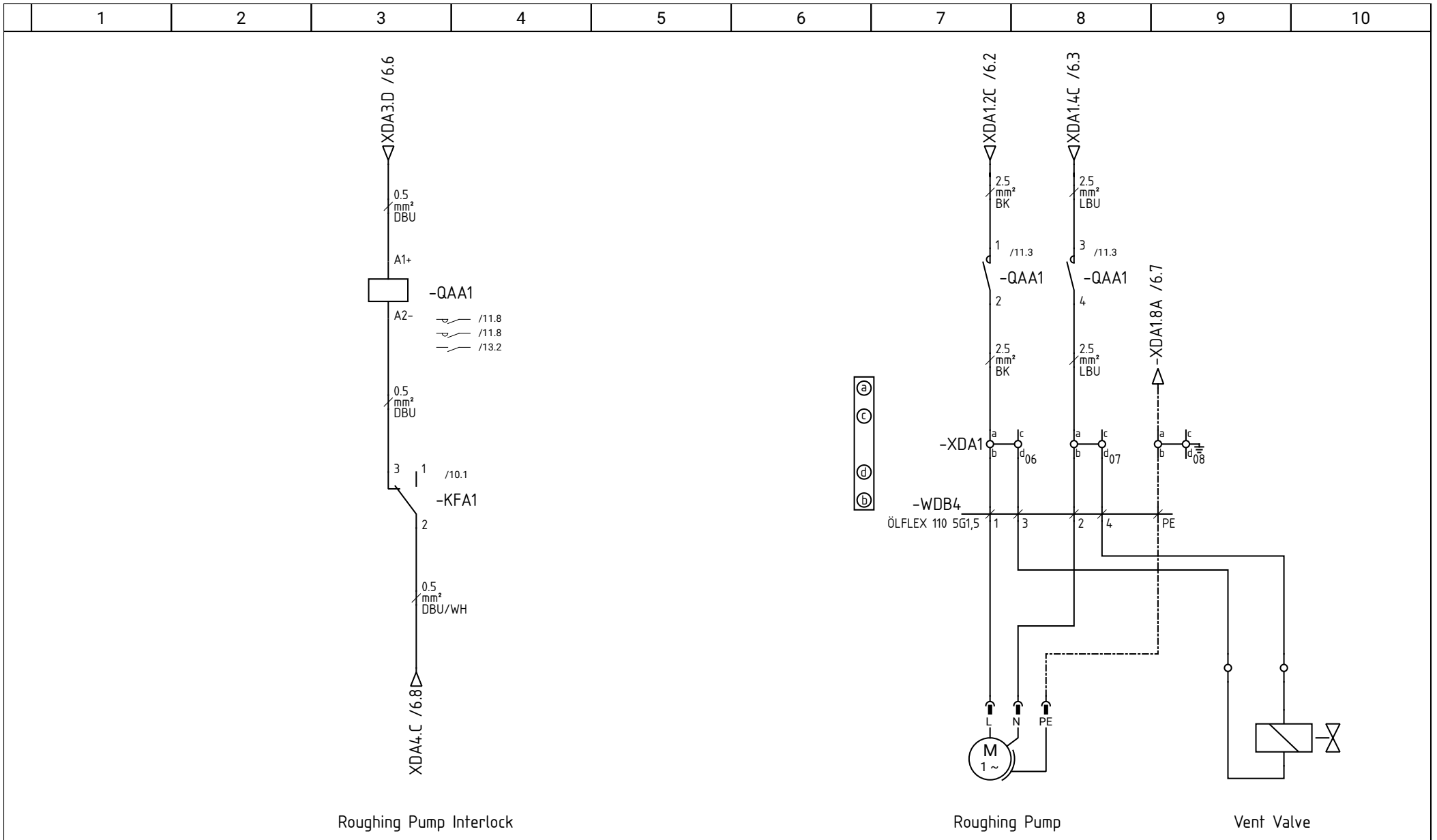


Roughing Pump   Diffusion Pump

Button Vent

Button Pump-Down   Fake-Pirani Rough   Fake-Pirani High

	Autor: rahix	Titel: succbone control panel	Größe: A4	Blatt: 10/16		
<h2>Relay Boards</h2>			Funktion:		Ort:	
			This work is licensed under CC-BY-SA-4.0			
			Datum: 2024-11-10		Rev: as built	

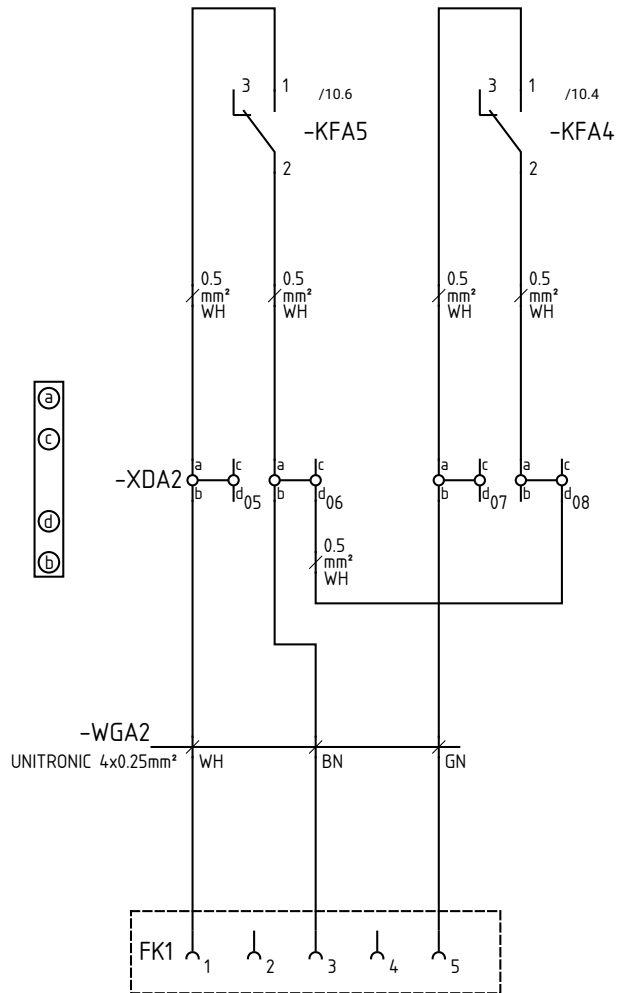


Roughing Pump Interlock

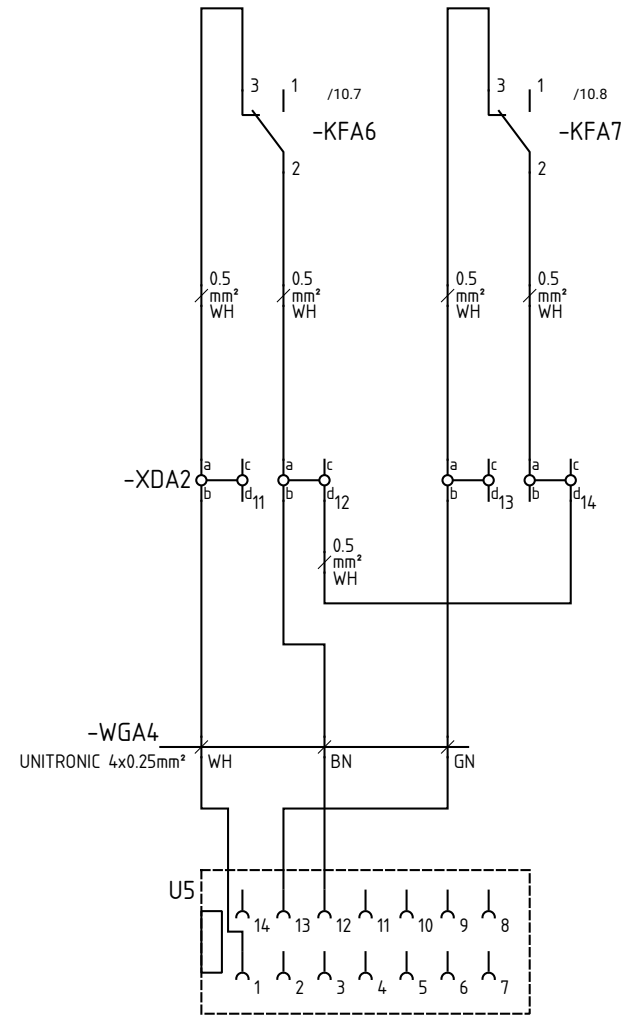
Roughing Pump

Vent Valve

Autor: rahix	Titel: succbone control panel	Größe: A4	Blatt: 11/16
<h2>Roughing Pump</h2>		Funktion:	Ort:
		This work is licensed under CC-BY-SA-4.0	
		Datum: 2024-11-10	Rev: as built

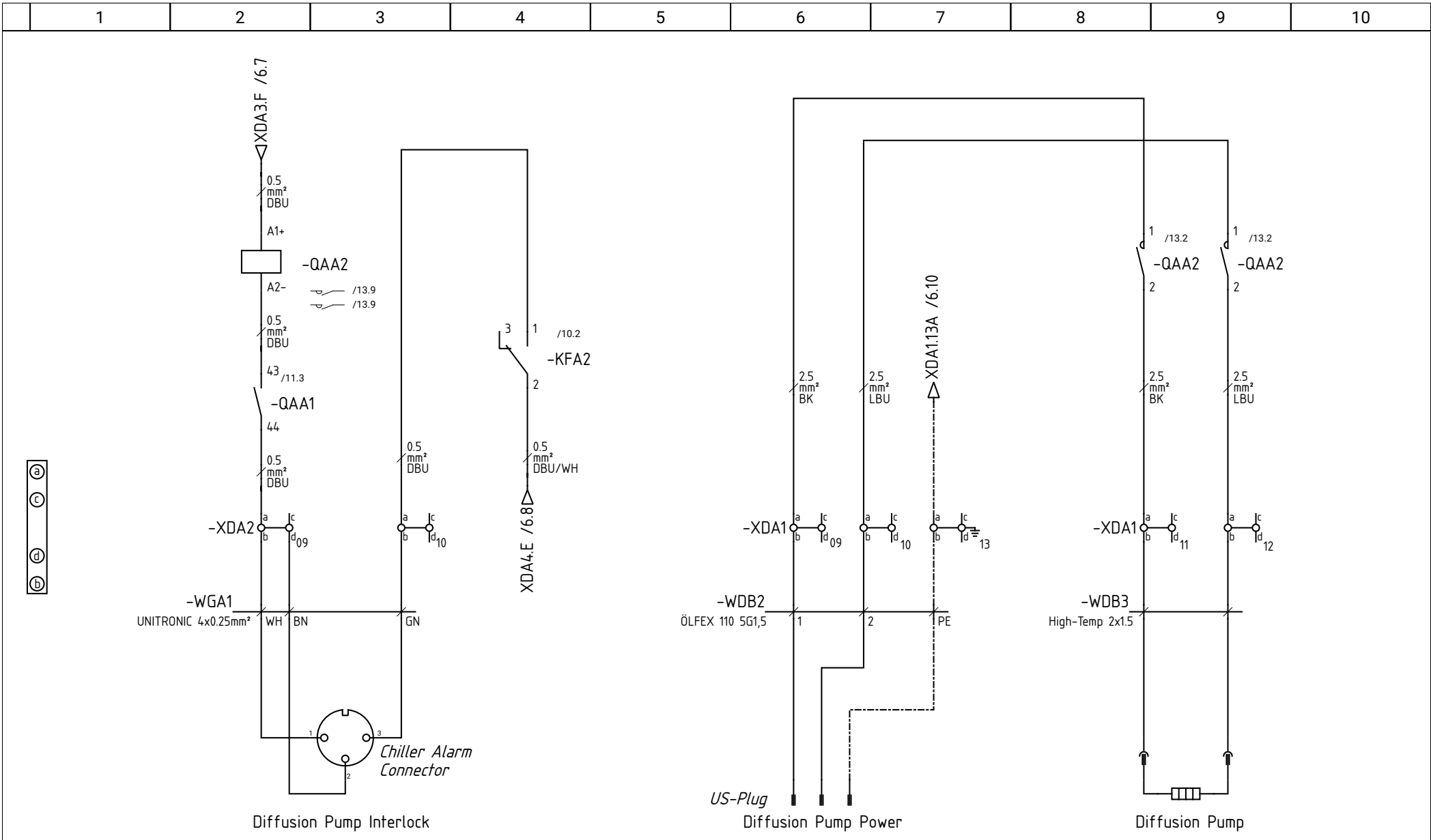


Button Pump-Down      Button Vent

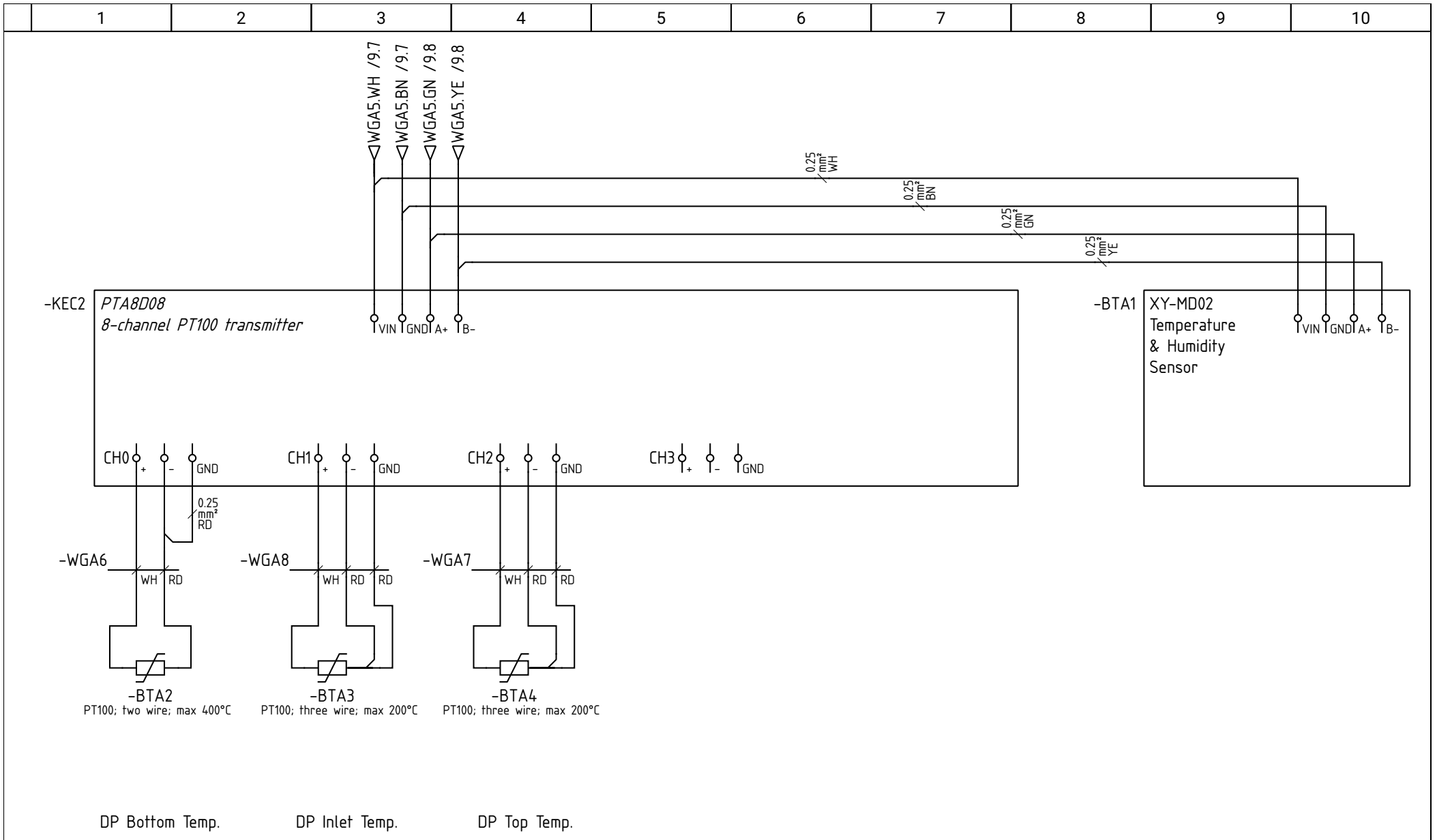


Fake-Pirani Rough      Fake-Pirani High

Autor: rahix	Titel: succbone control panel	Größe: A4	Blatt: 12/16
<b>Evac Controller Interfaces</b>		Funktion:	
		Ort:	
		This work is licensed under CC-BY-SA-4.0	
		Datum: 2024-11-10	Rev: as built



	Autor: rahix	Titel: succbone control panel	Größe: A4	Blatt: 13/16
<b>Diffusion Pump</b>	Funktion:		Ort:	
	This work is licensed under CC-BY-SA-4.0			
	Datum: 2024-11-10	Rev: as built		



Autor: rahix		Titel: succbone control panel		Größe: A4	Blatt: 14/16		
Diffusion Pump Temperature Sensors				Funktion:		Ort:	
				This work is licensed under CC-BY-SA-4.0			
				Datum: 2024-11-10		Rev: as built	

1	2	3	4	5	6	7	8	9	10
---	---	---	---	---	---	---	---	---	----

Label	Location (+)	Textual description	Manufacturer	Article number	Folio number
-BTA2		PT100; two wire; max 400°C			14
-BTA3		PT100; three wire; max 200°C			14
-BTA4		PT100; three wire; max 200°C			14
-KFA1		1 of 4 relays on relay board			10
-KFA2		1 of 4 relays on relay board			10
-KFA3		1 of 4 relays on relay board			10
-KFA4		1 of 4 relays on relay board			10
-KFA5		1 of 4 relays on relay board			10
-KFA6		1 of 4 relays on relay board			10
-KFA7		1 of 4 relays on relay board			10
-KFA8		1 of 4 relays on relay board			10
-QAA1		Contactora S00	Siemens	3ZX1012-0RH1-1AA1	11
-QAA2		Contactora S00	Siemens	3ZX1012-0RH1-1AA1	13
-TBA1		24V DC Power Supply 2.5A	Phoenix Contact	QUINT-PS-100-240VAC / 24DC / 2.5	6
-WDB1		3x0.75mm² with molded US-plug			6
-WDB2		ÖLFLEX 110 5G1,5			13
-WDB3		High-Temp 2x1.5			13
-WDB4		ÖLFLEX 110 5G1,5			11
-WGA1		UNITRONIC 4x0.25mm²			13
-WGA2		UNITRONIC 4x0.25mm²			12
-WGA4		LiYCY 4x0.25			7
-WGA4		UNITRONIC 4x0.25mm²			12
-WGA5		UNITRONIC 4x0.25mm²			9
-WGA6					14
-WGA7					14
-WGA8					14
-XDA1.01		4-conductor through terminal block; 2.5 mm²	WAGO	280-646	6
-XDA1.02		4-conductor through terminal block; 2.5 mm²	WAGO	280-646	6
-XDA1.03		4-conductor through terminal block; 2.5 mm²	WAGO	280-646	6
-XDA1.04		4-conductor through terminal block; 2.5 mm²	WAGO	280-646	6
-XDA1.05		3-conductor ground terminal block; 2.5 mm²	WAGO	280-637	6
-XDA1.06		4-conductor through terminal block; 2.5 mm²	WAGO	280-646	11

<b>Device List</b>	Autor: Harald Seiler		Titel: succbone control panel		Größe: A4	Blatt: 15/16
					Funktion:	Ort:
	This work is licensed under CC-BY-SA-4.0					
					Datum: 2024-11-10	Rev: as built

<i>Label</i>	<i>Location (+)</i>	<i>Textual description</i>	<i>Manufacturer</i>	<i>Article number</i>	<i>Folio number</i>
-XDA1.07		4-conductor through terminal block; 2.5 mm²	WAGO	280-646	11
-XDA1.08		3-conductor ground terminal block; 2.5 mm²	WAGO	280-637	11
-XDA1.09		4-conductor through terminal block; 2.5 mm²	WAGO	280-646	13
-XDA1.10		4-conductor through terminal block; 2.5 mm²	WAGO	280-646	13
-XDA1.11		4-conductor through terminal block; 2.5 mm²	WAGO	280-646	13
-XDA1.12		4-conductor through terminal block; 2.5 mm²	WAGO	280-646	13
-XDA1.13		3-conductor ground terminal block; 2.5 mm²	WAGO	280-637	13
-XDA2.01		4-conductor through terminal block; 2.5 mm²	WAGO	280-646	9
-XDA2.02		4-conductor through terminal block; 2.5 mm²	WAGO	280-646	9
-XDA2.03		4-conductor through terminal block; 2.5 mm²	WAGO	280-646	9
-XDA2.04		4-conductor through terminal block; 2.5 mm²	WAGO	280-646	9
-XDA2.05		4-conductor through terminal block; 2.5 mm²	WAGO	280-646	12
-XDA2.06		4-conductor through terminal block; 2.5 mm²	WAGO	280-646	12
-XDA2.07		4-conductor through terminal block; 2.5 mm²	WAGO	280-646	12
-XDA2.08		4-conductor through terminal block; 2.5 mm²	WAGO	280-646	12
-XDA2.09		4-conductor through terminal block; 2.5 mm²	WAGO	280-646	13
-XDA2.10		4-conductor through terminal block; 2.5 mm²	WAGO	280-646	13
-XDA2.11		4-conductor through terminal block; 2.5 mm²	WAGO	280-646	12
-XDA2.12		4-conductor through terminal block; 2.5 mm²	WAGO	280-646	12
-XDA2.13		4-conductor through terminal block; 2.5 mm²	WAGO	280-646	12
-XDA2.14		4-conductor through terminal block; 2.5 mm²	WAGO	280-646	12
-XDA3		PTFIX Distribution Block 12X1,5	Phoenix Contact	PTFIX 12X1,5 GY	6
-XDA4		PTFIX Distribution Block 12X1,5	Phoenix Contact	PTFIX 12X1,5 GY	6
-XDA5		Disconnect terminal block			6

	Autor: rahix	Titel: succbone control panel	Größe: A4	Blatt: 16/16
	Device List		Funktion:	Ort:
			This work is licensed under CC-BY-SA-4.0	
			Datum: 2024-11-10	Rev: as built