

succbone control panel

Notes:

- All devices shall be labelled with their device tag
- Cables shall be labelled with their tag on both ends
- Wires shall be labelled with the appropriate terminal number

Color codes (similar to IEC 60757):

WH	white
BK	black
BU	blue
BN	brown
GY	grey
RD	red
VT	violet
PK	pink
OG	orange
TP	transparent (non-standard)
BG	beige (non-standard)
GNYE	green/yellow

suffix "/WH" marks white stripe

Wire Colors

Description

BN (brown)/BK (black)	100V AC line
LBU (light blue)	100V AC neutral
GNYE (green/yellow)	protective earth
DBU (dark blue)	24V DC contols
DBU/WH (dark blue/white)	0V DC potential
WH (white)	other ELV potentials (possibly sourced externally)

Autor: rahix

Titel: succbone control panel

Größe: A4

Blatt: 1/11

Title

Funktion:

Ort:

This work is licensed under CC-BY-SA-4.0

Datum: 2024-09-26

Rev: as built

1	2	3	4	5	6	7	8	9	10
---	---	---	---	---	---	---	---	---	----

<i>Position</i>	<i>Title</i>	<i>Location (+)</i>
1	Title	
2	Table of Contents	
3	Changes	
4	Changes	
5	Network Topology	
6	Power Supply	
7	BeagleBone	
8	Relay Board	
9	Pump Control	
10	Device List	
11	Device List	

	Autor: rahix	Titel: succbone control panel	Größe: A4	Blatt: 2/11
	Table of Contents		Funktion:	Ort:
			This work is licensed under CC-BY-SA-4.0	
			Datum: 2024-09-26	Rev: as built

Changes

Date	Pages	Author	Description

Autor:	Titel: succbone control panel	Größe: A4	Blatt: 3/11
Changes		Funktion:	Ort:
		This work is licensed under CC-BY-SA-4.0	
		Datum: 2024-09-26	Rev: as built

Changes

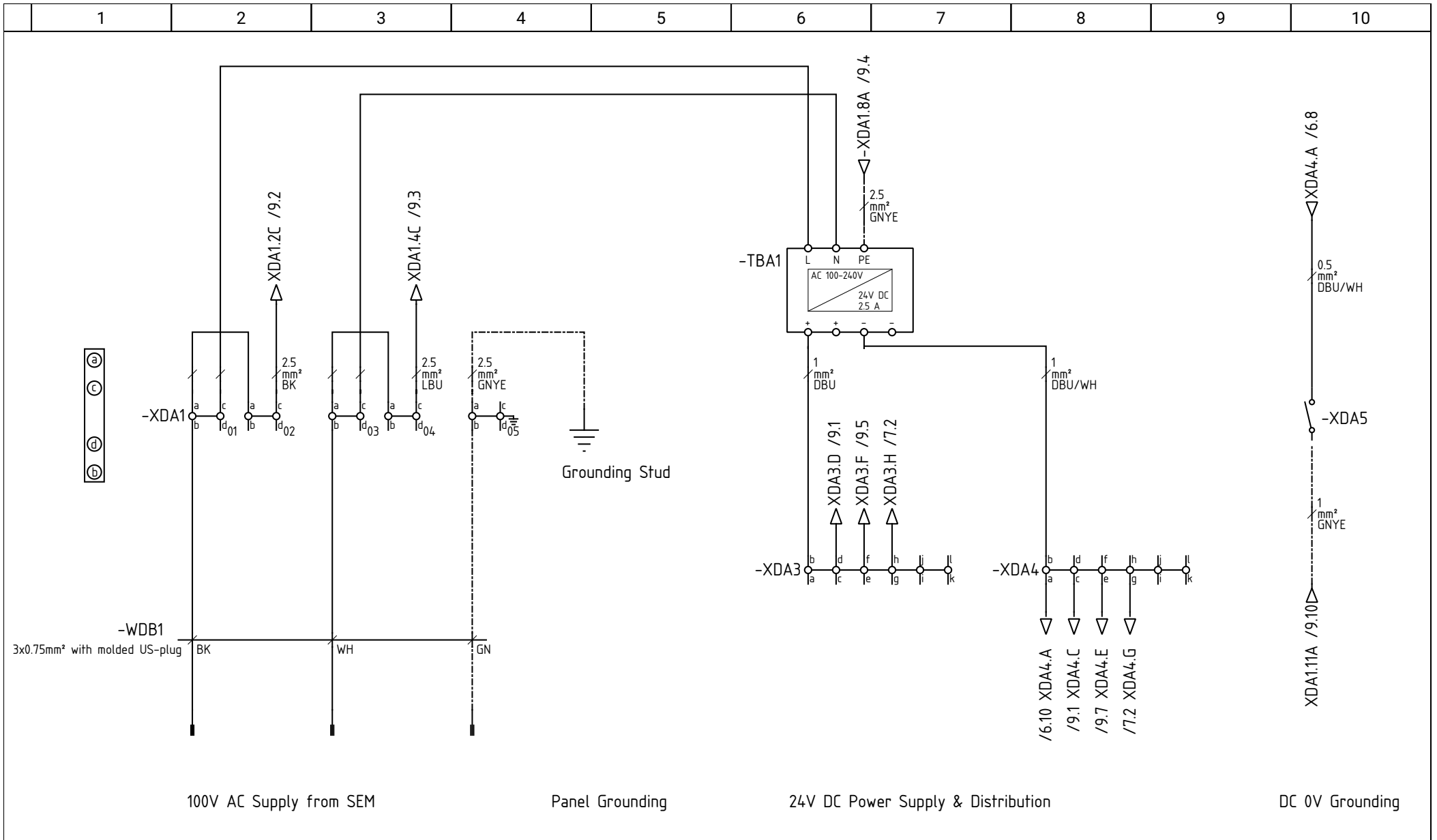
Date	Pages	Author	Description

Autor: rahix	Titel: succbone control panel	Größe: A4	Blatt: 4/11
Changes		Funktion:	Ort:
		This work is licensed under CC-BY-SA-4.0	
		Datum: 2024-09-26	Rev: as built

1	2	3	4	5	6	7	8	9	10
---	---	---	---	---	---	---	---	---	----



	Autor: rahix	Titel: succbone control panel	Größe: A4	Blatt: 5/11
	Network Topology		Funktion:	Ort:
			This work is licensed under CC-BY-SA-4.0	
			Datum: 2024-09-26	Rev: as built



Autor: rahix

Titel: succbone control panel

Größe: A4

Blatt: 6/11

Power Supply

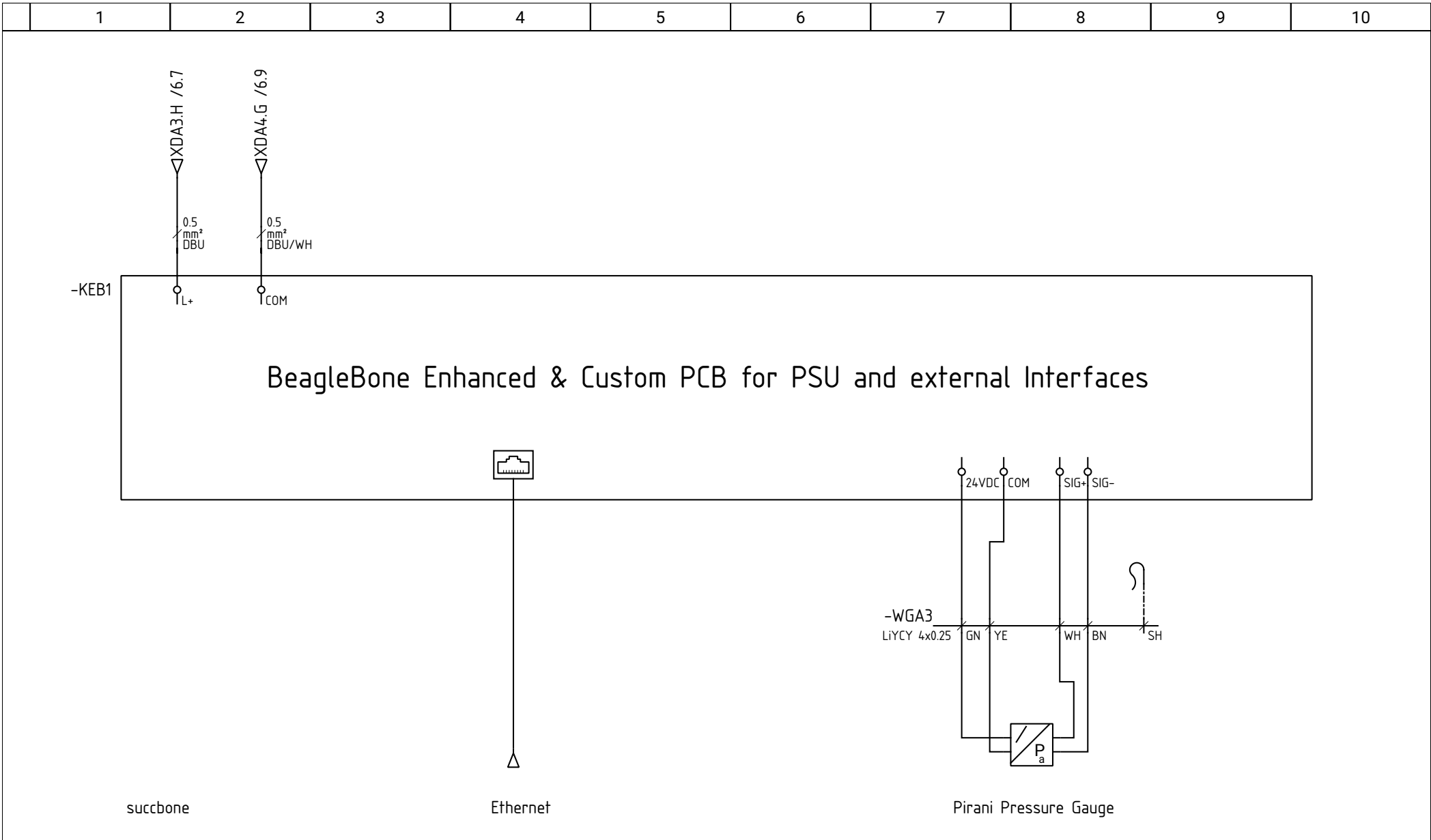
Funktion:

Ort:

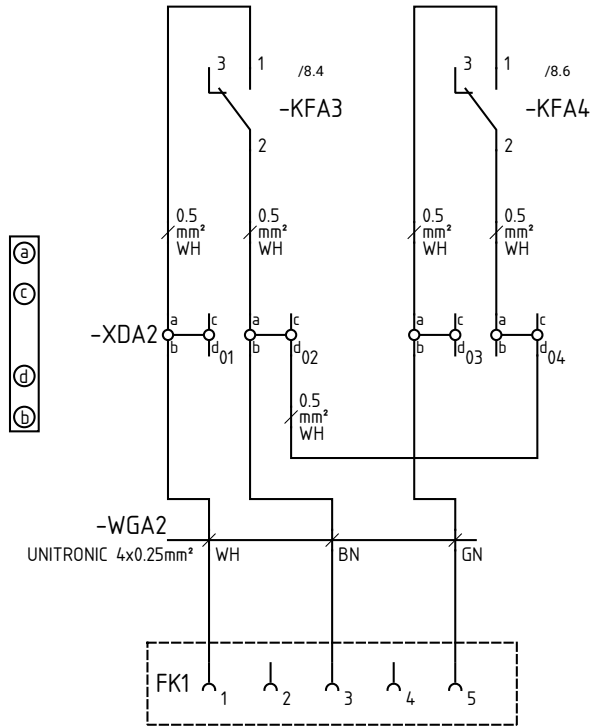
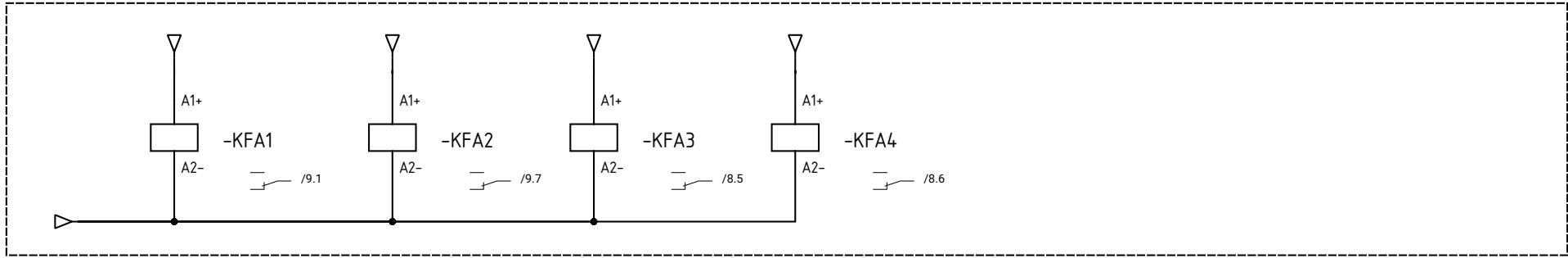
This work is licensed under CC-BY-SA-4.0

Datum: 2024-09-26

Rev: as built



Autor: rahix		Titel: succbone control panel		Größe: A4	Blatt: 7/11		
BeagleBone				Funktion:		Ort:	
				This work is licensed under CC-BY-SA-4.0			
				Datum: 2024-09-26		Rev: as built	



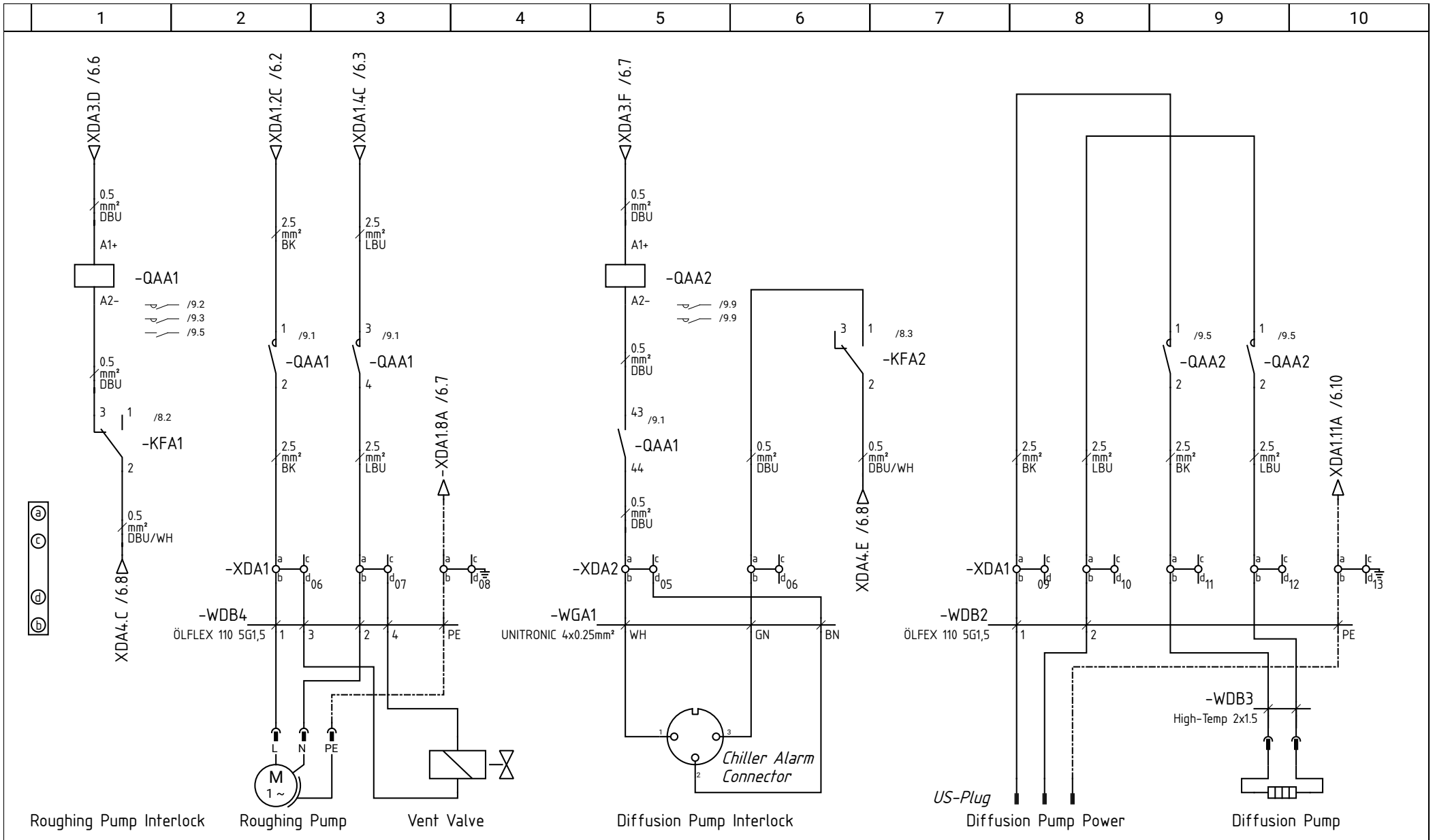
Roughing Pump

Diffusion Pump

Button Pumpdown

Button Vent

	Autor: rahix	Titel: succbone control panel	Größe: A4	Blatt: 8/11		
<h2>Relay Board</h2>			Funktion:		Ort:	
			This work is licensed under CC-BY-SA-4.0			
			Datum: 2024-09-26		Rev: as built	



Roughing Pump Interlock

Roughing Pump

Vent Valve

Diffusion Pump Interlock

Diffusion Pump Power

Diffusion Pump

Autor: rahix

Titel: succbone control panel

Größe: A4

Blatt: 9/11

Pump Control

Funktion:

Ort:

This work is licensed under CC-BY-SA-4.0

Datum: 2024-09-26

Rev: as built

1	2	3	4	5	6	7	8	9	10
---	---	---	---	---	---	---	---	---	----

Label	Location (+)	Textual description	Manufacturer	Article number	Folio number
-KFA1		1 of 4 relays on relay board			8
-KFA2		1 of 4 relays on relay board			8
-KFA3		1 of 4 relays on relay board			8
-KFA4		1 of 4 relays on relay board			8
-QAA1		Contactoer S00	Siemens	3ZX1012-0RH11-1AA1	9
-QAA2		Contactoer S00	Siemens	3ZX1012-0RH11-1AA1	9
-TBA1		24V DC Power Supply 2.5A	Phoenix Contact	QUINT-PS-100-240VAC / 24DC / 2.5	6
-WDB1		3x0.75mm² with molded US-plug			6
-WDB2		ÖLFEX 110 5G1,5			9
-WDB3		High-Temp 2x1.5			9
-WDB4		ÖLFLEX 110 5G1,5			9
-WGA1		UNITRONIC 4x0.25mm²			9
-WGA2		UNITRONIC 4x0.25mm²			8
-WGA3		LiYCY 4x0.25			7
-XDA1.01		4-conductor through terminal block; 2.5 mm²	WAGO	280-646	6
-XDA1.02		4-conductor through terminal block; 2.5 mm²	WAGO	280-646	6
-XDA1.03		4-conductor through terminal block; 2.5 mm²	WAGO	280-646	6
-XDA1.04		4-conductor through terminal block; 2.5 mm²	WAGO	280-646	6
-XDA1.05		3-conductor ground terminal block; 2.5 mm²	WAGO	280-637	6
-XDA1.06		4-conductor through terminal block; 2.5 mm²	WAGO	280-646	9
-XDA1.07		4-conductor through terminal block; 2.5 mm²	WAGO	280-646	9
-XDA1.08		3-conductor ground terminal block; 2.5 mm²	WAGO	280-637	9
-XDA1.09		4-conductor through terminal block; 2.5 mm²	WAGO	280-646	9
-XDA1.10		4-conductor through terminal block; 2.5 mm²	WAGO	280-646	9
-XDA1.11		4-conductor through terminal block; 2.5 mm²	WAGO	280-646	9
-XDA1.12		4-conductor through terminal block; 2.5 mm²	WAGO	280-646	9
-XDA1.13		3-conductor ground terminal block; 2.5 mm²	WAGO	280-637	9
-XDA2.01		4-conductor through terminal block; 2.5 mm²	WAGO	280-646	8
-XDA2.02		4-conductor through terminal block; 2.5 mm²	WAGO	280-646	8
-XDA2.03		4-conductor through terminal block; 2.5 mm²	WAGO	280-646	8
-XDA2.04		4-conductor through terminal block; 2.5 mm²	WAGO	280-646	8
-XDA2.05		4-conductor through terminal block; 2.5 mm²	WAGO	280-646	9

Device List	Autor: Harald Seiler		Titel: succbone control panel		Größe: A4	Blatt: 10/11
					Funktion:	Ort:
	This work is licensed under CC-BY-SA-4.0					
	Datum: 2024-09-26			Rev: as built		

1	2	3	4	5	6	7	8	9	10
---	---	---	---	---	---	---	---	---	----

<i>Label</i>	<i>Location (+)</i>	<i>Textual description</i>	<i>Manufacturer</i>	<i>Article number</i>	<i>Folio number</i>
-XDA2.06		4-conductor through terminal block; 2.5 mm²	WAGO	280-646	9
-XDA3		PTFIX Distribution Block 12X1,5	Phoenix Contact	PTFIX 12X1,5 GY	6
-XDA4		PTFIX Distribution Block 12X1,5	Phoenix Contact	PTFIX 12X1,5 GY	6
-XDA5		Disconnect terminal block			6

Device List	Autor: rahix		Titel: succbone control panel		Größe: A4	Blatt: 11/11
					Funktion:	Ort:
	This work is licensed under CC-BY-SA-4.0					
	Datum: 2024-09-26			Rev: as built		